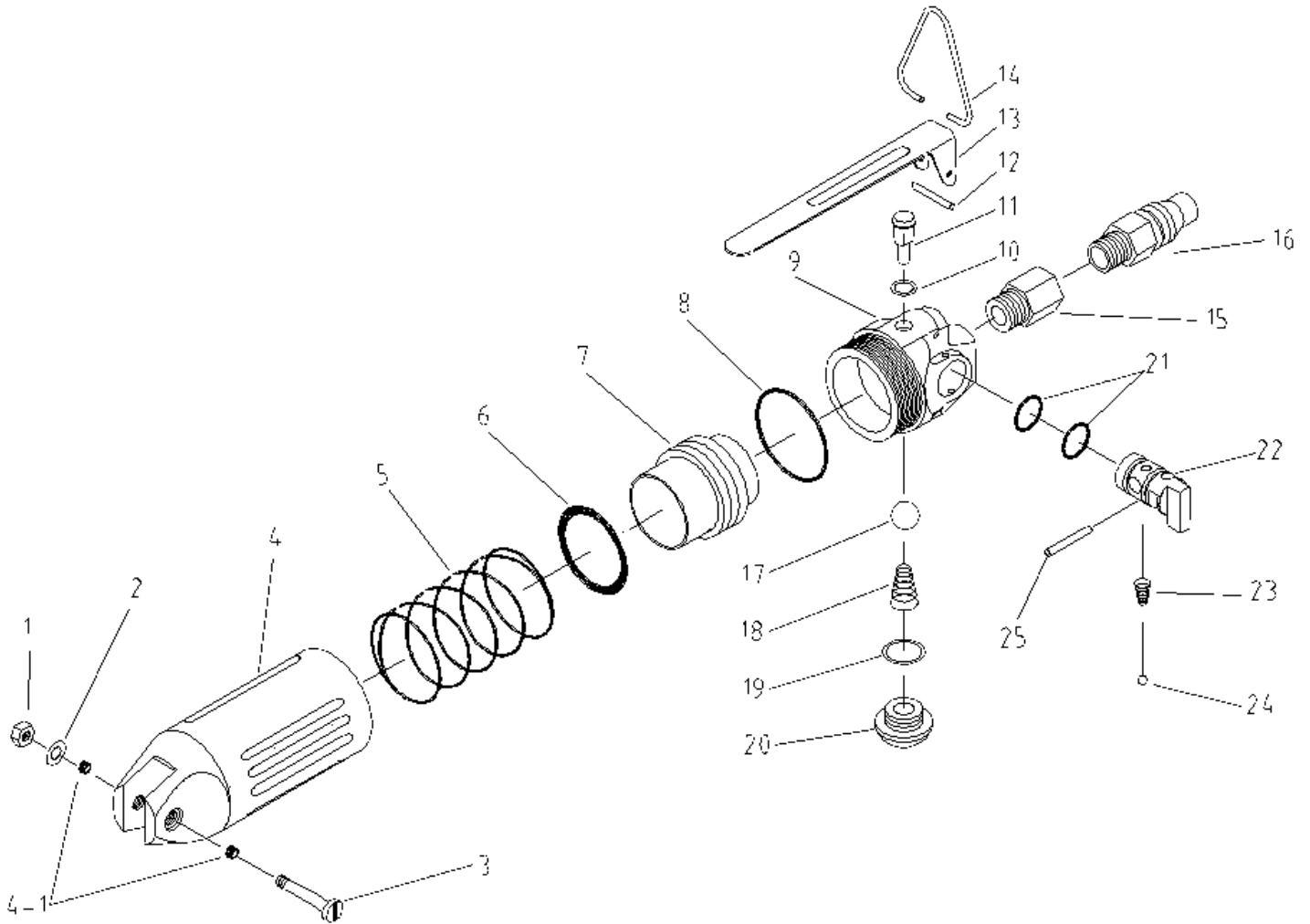


# GISON Pneumatic Tools

**GP-030M Air Nipper (2.8 mm Iron Wire)**

**GP-030P Air Nipper (10 mm Soft Plastic)**



## PARTS LIST

\_ : Consuming Part

Item No.	Part No.	Description	Qty.	Item No.	Part No.	Description	Qty.
1	03001	Nut Ms	1	15	03015	Joint 1/4	1
2	03002	Washer	1	16	03016	Air Inlet 1/4	1
3	03003	Screw Pin M5*36	1	17	03017	Urethane Ball	1
4	03004	Body	1	18	03018	Spring	1
5	03005	Retention Spring	1	19	03019	O-Ring P10	1
6	03006	O-Ring P40	1	20	03020	Stop Screw M12	1
7	03007	Piston	1	21	03021	O-Ring P11*2.5	2
8	03008	O-Ring P42*2	1	22	03022	Valve Switch	1
9	03009	Valve Set (#9-#19)	1	23	03023	Spring	1
10	03010	O-Ring P4	1	24	03024	Urethane Ball	1
11	03011	Switch Pin	1	25	03025	Pin 3*22	1
12	03012	Pin 3*24	1	26	S8P	Blade for Metal Wire	1
13	03013	Lever	1		FD-8P	Blade for Plastic	
14	03014	Hanger	1	27	03027	Spring	1