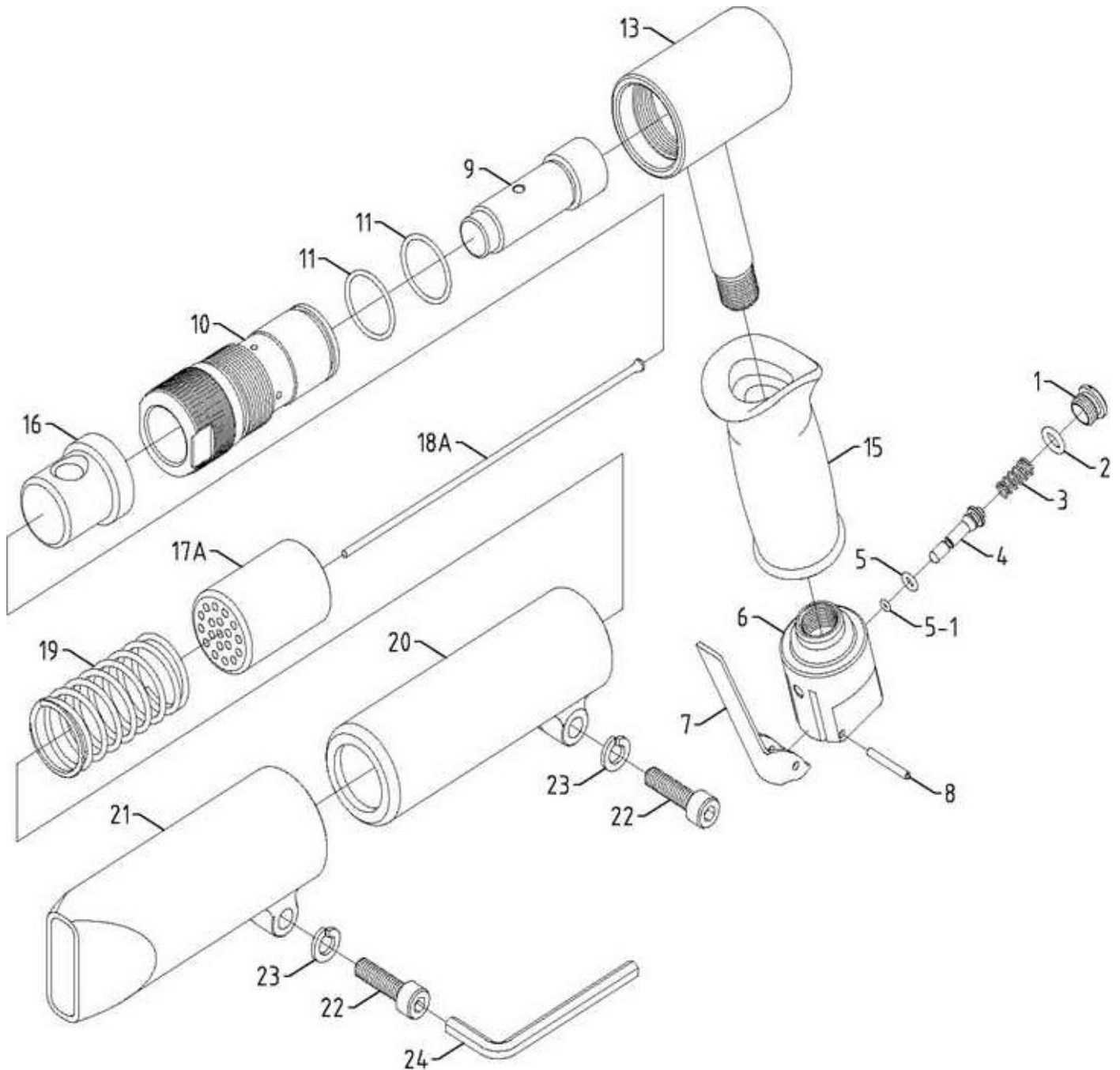




GISON Pneumatic Tools

GP-851B Air Needle Scaler



PARTS LIST

★ : Consuming Part

Item No.	Part No.	Description	Qty.	Item No.	Part No.	Description	Qty.
1	851B01	Valve Cap	1	15	851B15	Rubber Grip	1
2	851B02	O-Ring (7.8x2.4)	1	★16	851B16	Needle Anvil	1
3	851B03	Valve Spring	1	17A	851B17A	Needle Holder(ø3x19 holes)	1
4	851B04	Valve Stem	1	17B	851B17B	Needle Holder(ø2x29 holes)	1
5	851B05	O-Ring p5(d4.8xw1.9)	1	★18A	851B18A	Needle Set (ø3x180Lx19)	1 set
5-1	851B05-1	O-Ring (2.0x1.5)	1	★18B	851B18B	Needle Set (ø2x180Lx29)	1 set
6	851B06	Backhead	1	19	851B19	Compression Spring	1
7	851B07	Lever	1	20	851B20	Intermediate Tube	1
8	851B08	Spring Pin (ø3x24L)	1	21	851B21	Front Tube	1
★9	851B09	Piston	1	22	851B22	Cap Head Screw (5/16"x1-1/8")	2
10	851B10	Cylinder	1	23	851B23	Washer (5/16")	2
11	851B11	O-Ring S26 (d25.5xw2)	2	24	851B24	Hex. Wrench (6mm)	1
13	851B13	Handle	1				

※ If you need to order parts, please mark both **Parts No.** and **Description.** 2017/6/19

