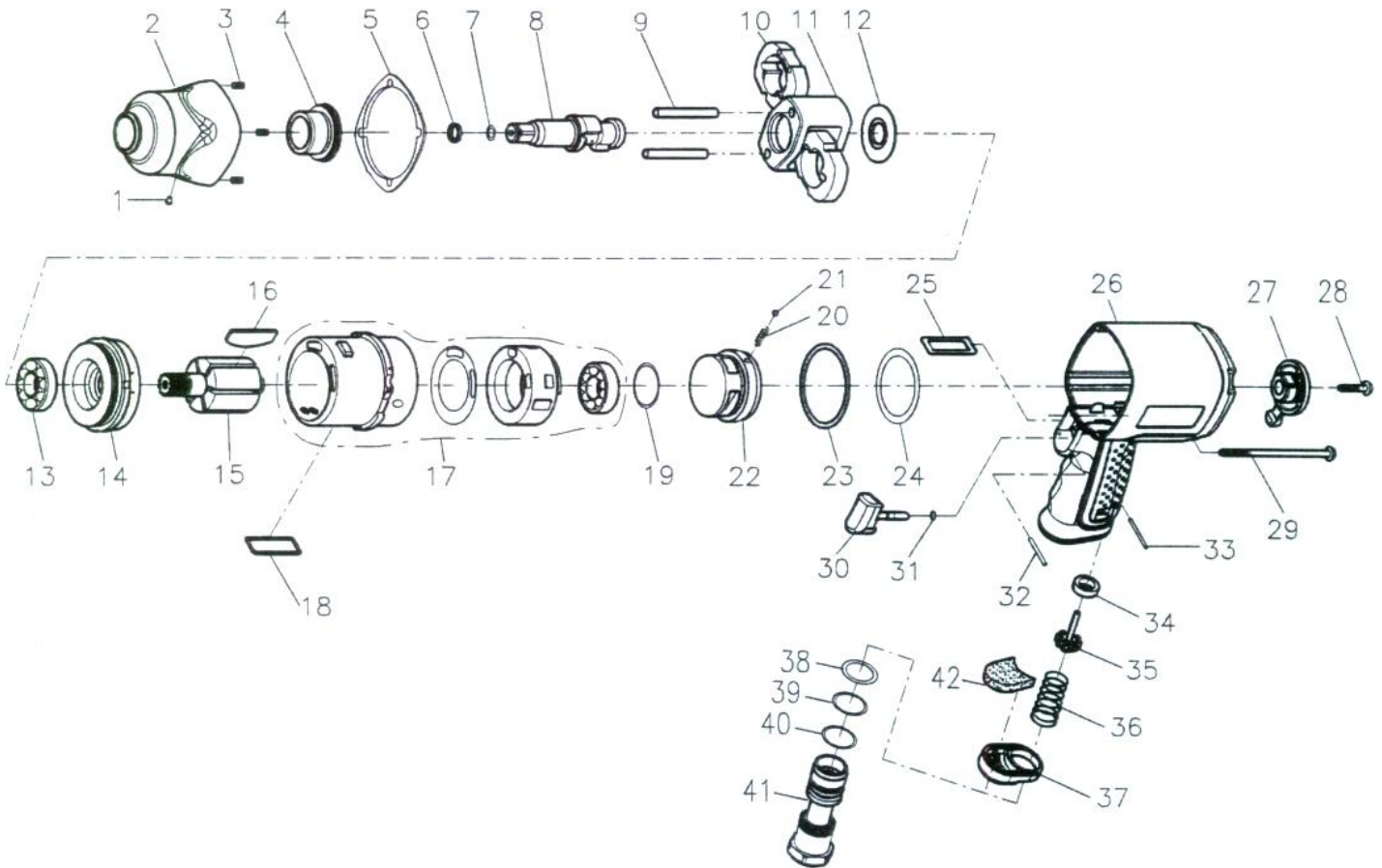




GISON Pneumatic Tools

GW-13SR/17SR 3/8" & 1/2" Composite Air Impact Wrench



PARTS LIST

□ : Consuming Part

Item No.	Part No.	Description	Qty	Item No.	Part No.	Description	Qty
1	13SR01	Grease Fitting	1	20	13SR20	Spring	1
2	13SR02	Hammer Case	1	21	13SR21	Steel Ball	1
3	13SR03	Inserts Recoil	4	22	13SR22	Regulator	1
4	13SR04	Anvil Bushing	1	23	13SR23	Rear Gasket	1
5	13SR05	Front Gasket	1	24	13SR24	Washer	1
6	13SR06 A	Anvil Collar (3/8" Square)	1	25	13SR25	Air Channel Gasket	1
	13SR06 B	Anvil Collar (1/2" Square)		26	13SR26	Motor Housing	1
7	13SR07 A	O-Ring (3/8" Square)	1	27	13SR27	Regulator Knob	1
	13SR07 B	O-Ring (1/2" Square)		28	13SR28	Cap Screw	1
8	13SR08 A	Anvil (3/8" Square)	1	29	13SR29	Screw	4
	13SR08 B	Anvil (1/2" Square)		30	13SR30	Trigger	1
9	13SR09	Hammer Pin	2	31	13SR31	O-Ring	1
10	13SR10	Hammer	2	32	13SR32	Spring Pin	1
11	13SR11	Hammer Cage	1	33	13SR33	Spring Pin	1
12	13SR12	Rear Washer	1	34	13SR34	Bushing	1
13	13SR13	Ball Bearing	1	35	13SR35	Valve Stem	1
14	13SR14	Front End Plate	1	36	13SR36	Spring	1
15	13SR15	Rotor	1	37	13SR37	Exhaust Deflector	1
16	13SR16	Rotor Blade	6	38	13SR38	O-Ring	1

17	13SR17 A	Cylinder	1	39	13SR39	O-Ring	1
	13SR17 B	Valve Sleeve Gasket	1	40	13SR40	O-Ring	1
	13SR17 C	Valve Sleeve	1	41	13SR41 A	Air Inlet (1/4" PF)	1
	13SR17 D	Ball Bearing	1		13SR41 B	Air Inlet (1/4" PT)	1
18	13SR18	Square Ring	1		13SR41 C	Air Inlet (1/4" NPT)	1
19	13SR19	O-Ring	1	42	13SR42	Non Woven	1