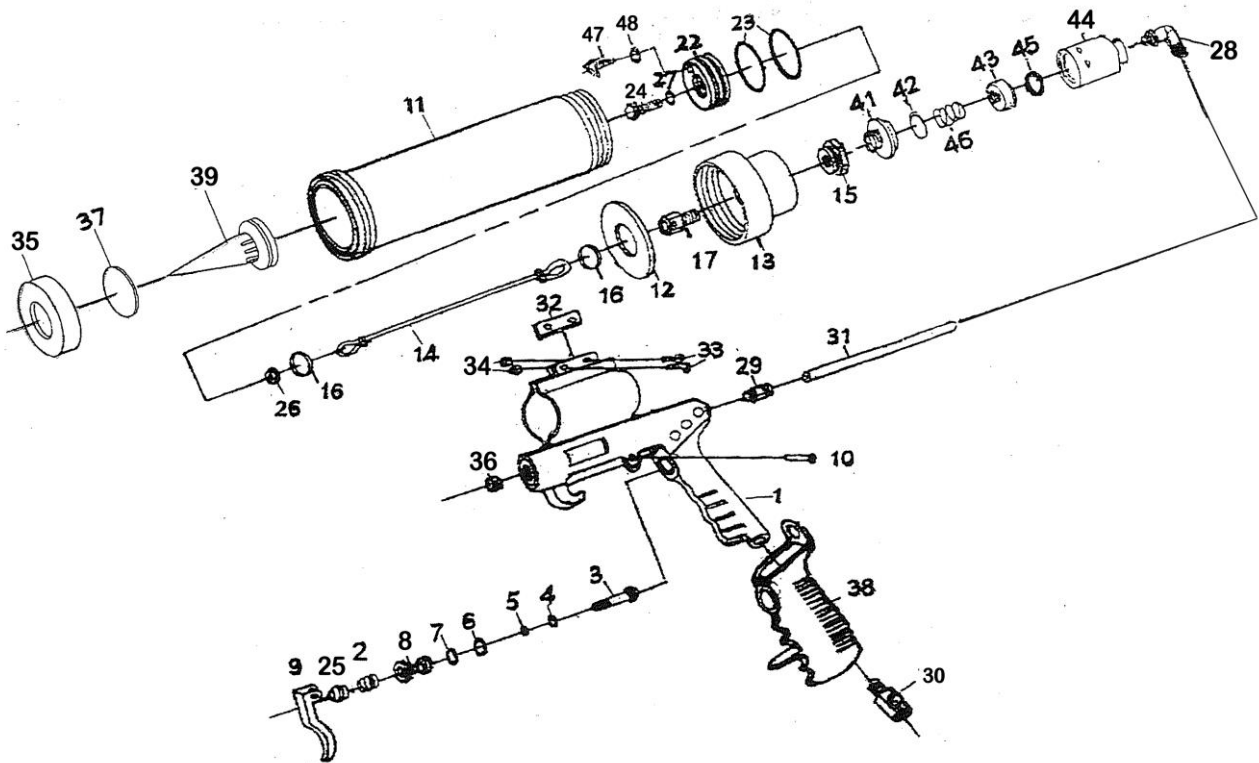


2 IN 1 HEAVY DUTY AIR CAULKING GUN



4612-D

INDEX NO.	DESCRIPTION	REQ'D NO.	INDEX NO.	DESCRIPTION	REQ'D NO.
01	Handle	1	26	Nut	1
02	Spring	1	27	O-Ring	1
03	Throttle Valve	1	28	"L" Hose Q.C. Connector	1
04	O-Ring	1	29	Hose Q.C. Connector	1
05	O-Ring	1	30	Air Regulator	1
06	O-Ring	1	31	Air Hose (L:3.5cm) for 9" Tube	1
07	O-Ring	1		Air Hose (L:5cm) for 11" Tube (Option)	
08	Valve Bushing	1		Air Hose (L:7cm) for 13" Tube (Option)	
09	Trigger	1	32	Spacer	1
10	Trigger Riveter	1	33	Screw	2
11	Aluminum Tube 9"	1	34	Nut	2
	Aluminum Tube 11" (Option)		35	Front Cover	1
	Aluminum Tube 13" (Option)		36	Screw	1
12	Gasket	1	37	O-Ring	1
13	Tube Connector Cover	1	38	Handle Grip	1
14	Pull Line Assembly 9"	1	39	Sachet Nozzle	1
	Pull Line Assembly 11" (Option)		41	Exhaust Valve Connector	1
	Pull Line Assembly 13" (Option)		42	O-Ring	1
15	Push Rod Bushing	1	43	Piston	1
16	Lock Ring	2	44	Valve Body	1
17	Bolt	1	45	Piston Ring	1
22	Piston	1	46	Piston Spring	1
23	O-Ring	2	47	Screw	1
24	Screw	1	48	O-Ring	1
25	Throttle Valve Cap	1			